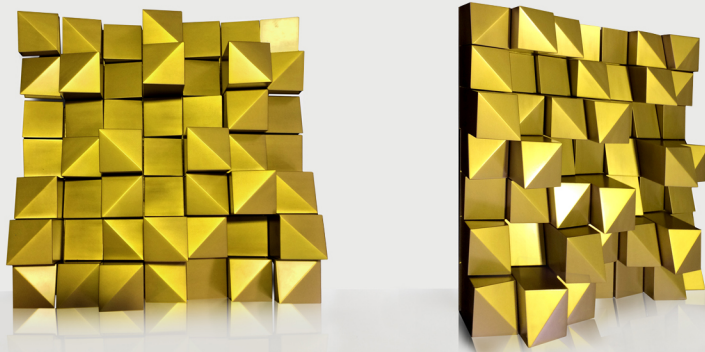


**Alps W**

**Diffuser**  
High-End

**Specifications**

Finishing Material : **Wood**  
 Dimensions - **595x 595 x 152 (mm)**  
 Solid weight - **18,30 Kg\***  
 Lacquered weight - **18,70 Kg\***  
 Installation - **Mechanical**  
 Hs-Code - **available soon**

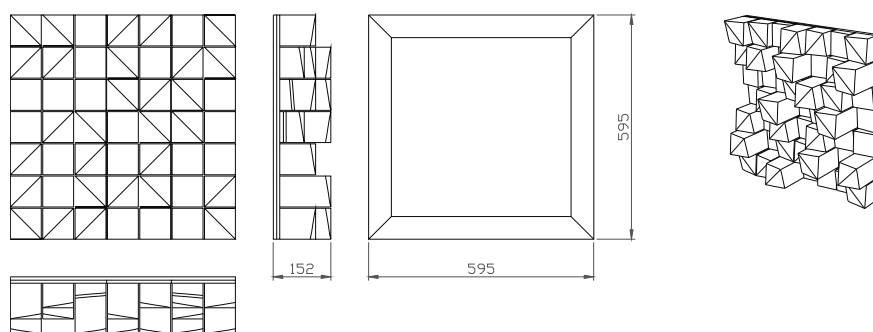


**Description**

Alps W Diffuser is an attractive, furniture grade wooden acoustic panel, designed for mid-high frequency sound diffusion with a range of 250 Hz up to 6000 Hz. Developed specifically to interrupt discrete echoes by scattering or diffusing sound energy over a wide area without removing it from the room, Alps W Diffuser maintains sound clarity and improves speech intelligibility.

With easy wall installation, Alps W Diffuser is available in both hard and soft woods and in a wide variety of finishes including wood veneer, laminates, melamine coating and painted surfaces, such as our limited edition (Gold Version).

**Technical Information**



Solid wood finishes:



W 04

Lacquered wood finishes:



L01



L02



L03



L04



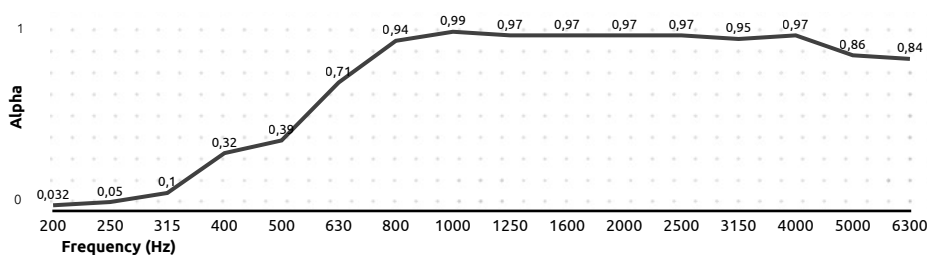
L05

**Packaging**

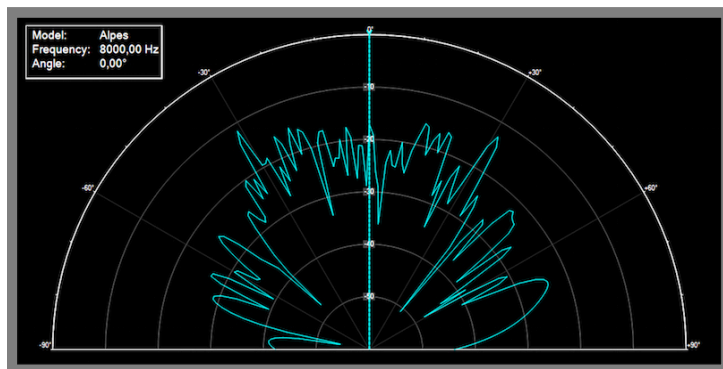
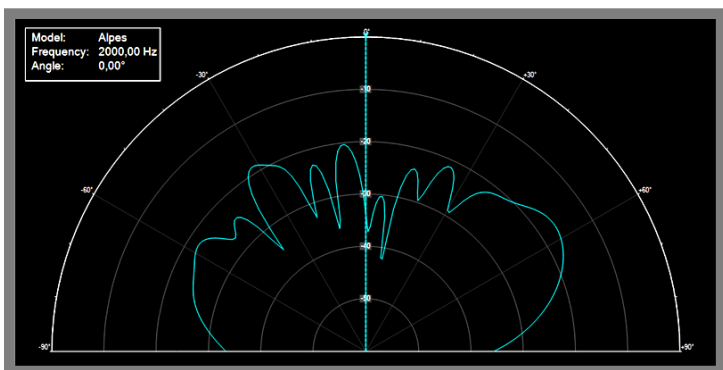
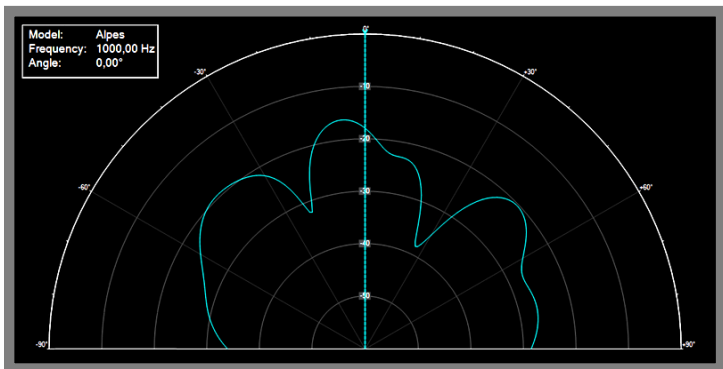
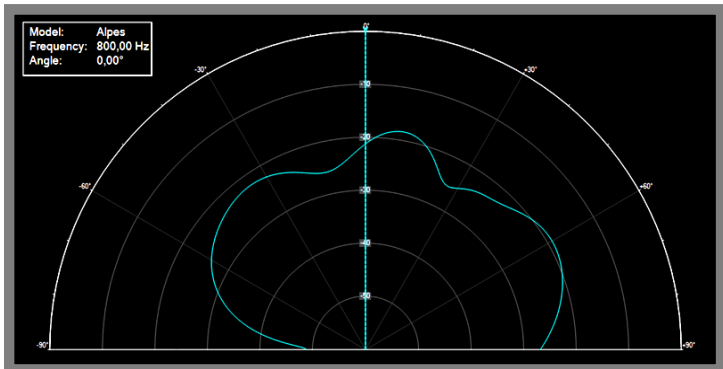
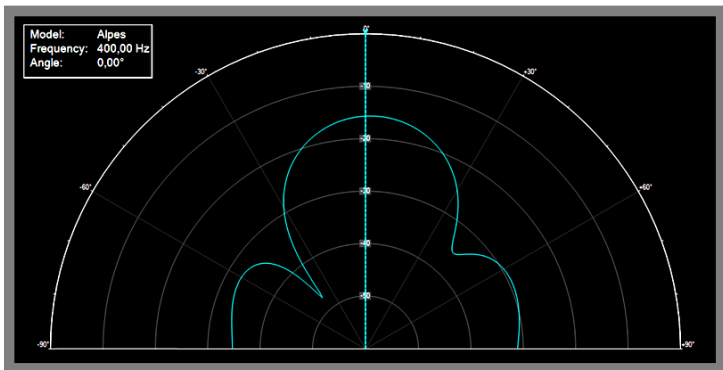
Dimensions - 620 x 385 x 300 (mm)  
 Solid wood weight - available soon  
 Lacquered weight - available soon  
 1 Unit per box

\* Approximated Weight

**Performance** (computer estimation Finite Elements - Scattering coefficient)



**Polar Response**



**Alps W**

**Diffuser**  
High-End

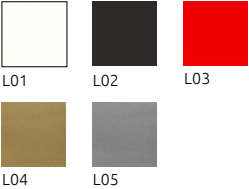
**Specifications**

Finishing Material : **Wood**  
 Dimensions - **595x 595 x 152 (mm)**  
 Solid weight - **18,30 Kg\***  
 Lacquered weight - **18,70 Kg\***  
 Installation - **Mechanical**  
 Hs-Code - **available soon**

Solid wood finishes:



Lacquered wood finishes:



**Packaging**

Dimensions - 620 x 385 x 300 (mm)  
 Solid wood weight - available soon  
 Lacquered weight - available soon  
 1 Unit per box

\* Approximated Weight



hello@artnovion.com  
[www.artnovion.com](http://www.artnovion.com)