



C10

High Power Cinema Surround Loudspeaker

Technical Specifications



- High Power surround loudspeaker for small to medium size rooms
- 10" low frequency Neodymium driver with a 2.5" voice coil
- 1" High Frequency compression driver on a constant directivity waveguide
- Uniform asymmetric 90° horizontal x 40° vertical coverage above 1.6 kHz
- High sensitivity and high power handling
- Wall mount bracket included
- Integral M6 threaded inserts for installation using brackets

Room Width ≤ 15m

Impedance 8 Ohms

Power handling

Continuous 250W

Peak 500W

Sensitivity

1m/1W 96dB

Maximum SPL

Continuous 121 dB

Peak 127dB

Frequency response

-3dB points 70Hz and 20kHz

Dispersion pattern

-6dB Constant directivity:
90° horizontal x 40° vertical
above 1.6 KHz

Passive Crossover 2nd Order Linkwitz-Riley
@1.8 KHz

Components

Low 10" Neodymium high output driver with 2.5" voice coil in sealed enclosure

High Compression driver with 1" voice coil and Polymer diaphragm on elliptical constant directivity waveguide

Termination Gold-plated binding posts
Top of cabinet location

Mounting Wall bracket included
Integral M6 threaded inserts provided on enclosure sides, top and bottom

Construction Void free MDF, internally cross braced
Painted black matte finish

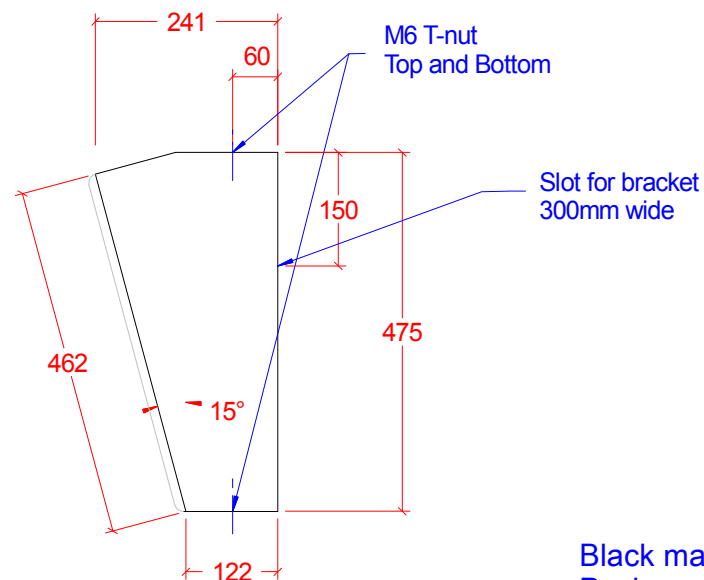
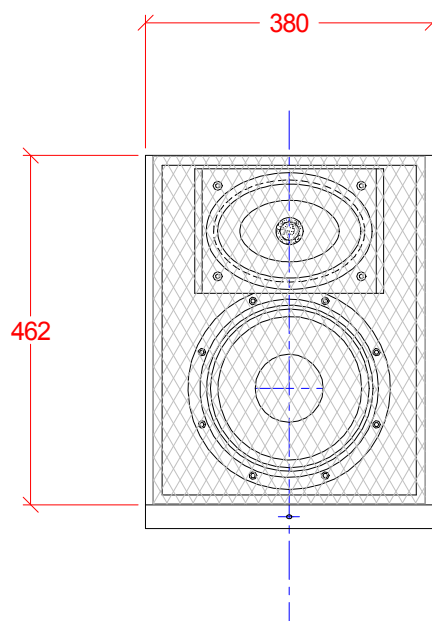
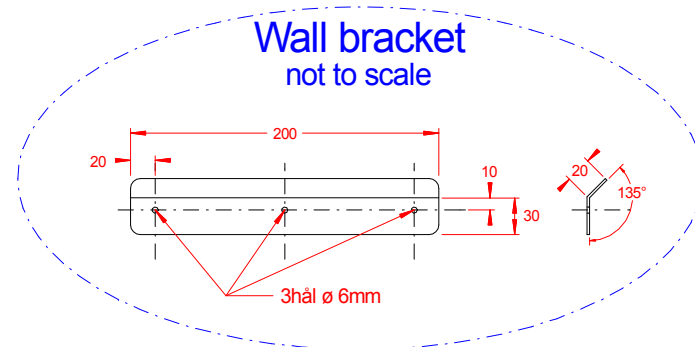
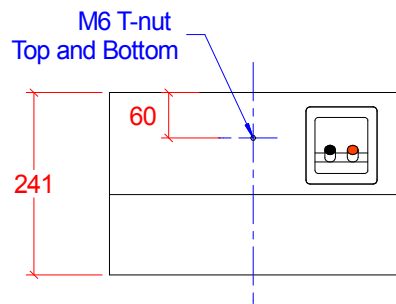
Dimensions

HxWxD 475 x 380 x 240/120 mm
(15° tilt)

Net weight 13.5 Kg

Specifications are subject to change without notice.

C10



Black matte vinyl
Package: 60x50x40
Vb= 22,2l

T-nut tolerances: 0.5mm
Outside tolerance: +2mm
All other tolerances +0.5mm



Procella C10 dimensions
Anders Uggelberg 16/9-16
UPD:
Scale 1:10 (PDF/JPEG not to scale)
C10_vue.CAD

